

CCBanta

creative percussion company

ASSEMBLY INSTRUCTION MANUAL

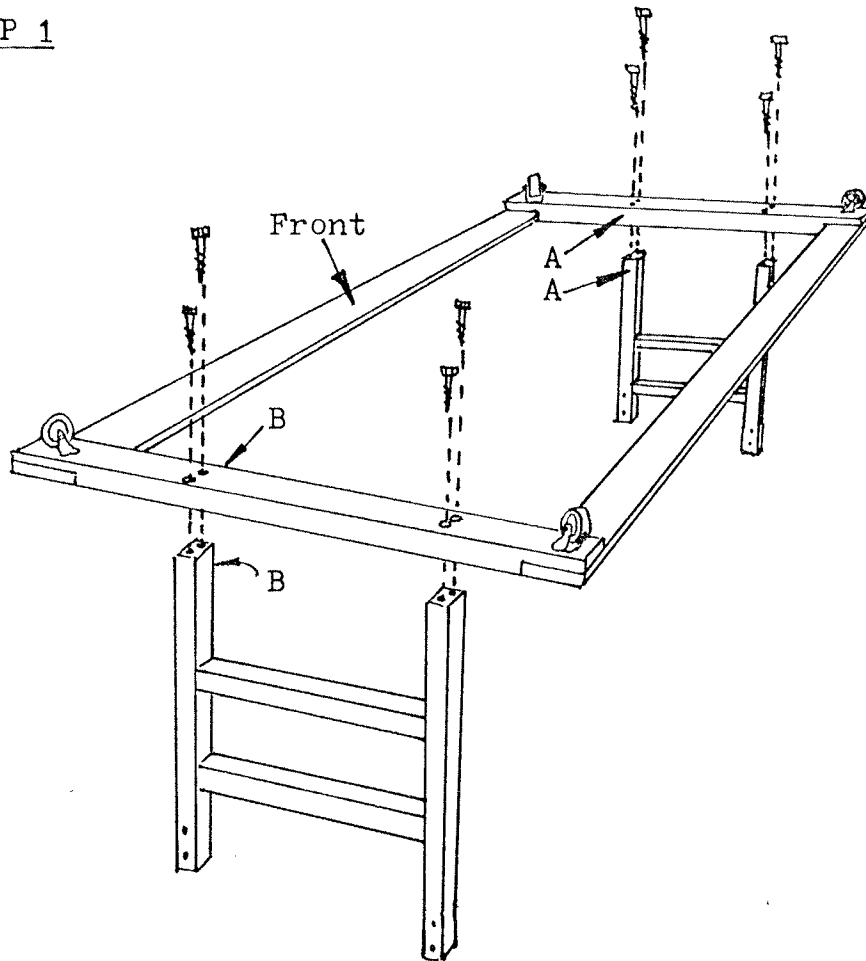
Marimba Parts List

Item	Qty	Description
INSTRUMENT		
1.	1	Bottom Frame Assembly with casters
2.	1	Left side Support Frame
3.	1	Right side Support Frame
4.	1	Top Resonator Support Beam <u>C</u> (8 notes)
5.	1	Bottom Resonator Support Beam <u>D</u> (8 notes)
6.	1	Top Resonator Support Beam <u>E</u> (5 notes)
7.	1	Bottom Resonator Support Beam <u>F</u> (5 notes)
8.	1	13 note Upper frame assembly with Bars
9.	1	Music Stand
10.	2	Music Stand Supports
RESONATORS		
11.	1	CC Mitered "L" Resonator
12.	1	CC# Mitered "U" Resonator
13.	1	DD Mitered "L" Resonator
14.	1	DD# Mitered "U" Resonator
15.	1	EE Mitered "L" Resonator
16.	1	FF Mitered "L" Resonator
17.	1	FF# Mitered "L" Resonator
18.	1	GG Semi-mitered Resonator
19.	1	GG# Semi-mitered Resonator
20.	1	AA Straight Resonator
21.	1	AA# Straight Resonator
22.	1	BB Straight Resonator
23.	1	C Straight Resonator
HARDWARE		
24.	8	3" X 5/16" Lag Bolts
25.	16	3 1/2" X 5/16" Carriage Bolts
26.	8	4 1/2" X 5/16" Carriage Bolts
27.	32	5/16" Flat Washers
28.	24	5/16" Nuts
29.	8	5/8" X 8 Pan Head Screws
MISCELLANEOUS		
30.	1pr.	No. 17 Mike Balter Bass Marimba Mallets
31.	1pr.	No. 18 Mike Balter Bass Marimba Mallets
32.	1	Mallet Rack
33.	1	2 oz. bottle Aliphatic Resin
34.	1	Assembly Instruction Manual

Carton Contents

Box 1 of 8	Bottom frame with casters, side support rails, resonator cross beams, and music stand with supports.
Box 2 of 8	} Resonators
Box 3 of 8	
Box 4 of 8	
Box 5 of 8	
Box 6 of 8	
Box 7 of 8	} Misc. supplies; mounting hardware, glue, 2 pairs of Mallets, mallet rack, and Assembly Instruction Manual.
Box 8 of 8	

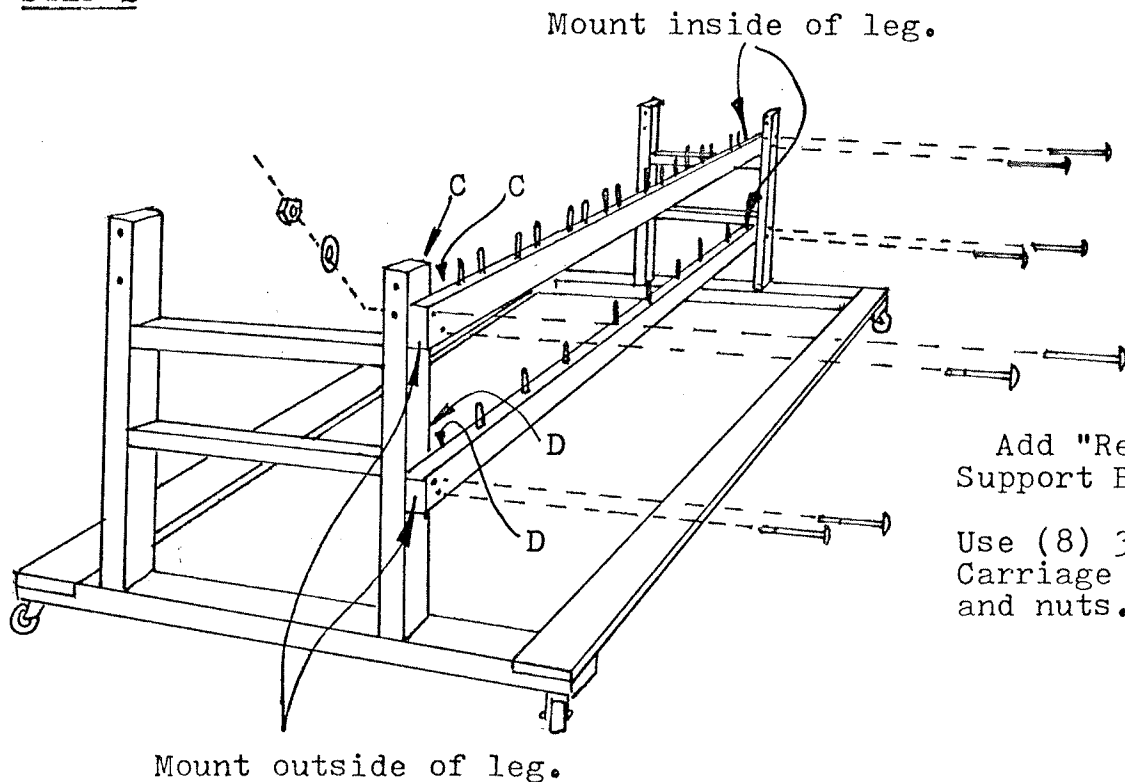
STEP 1



Add "Side Supports" A and B to bottom of frame assembly.

Use (8) 3" X 5/16" Lag bolts, washers, and nuts.

STEP 2



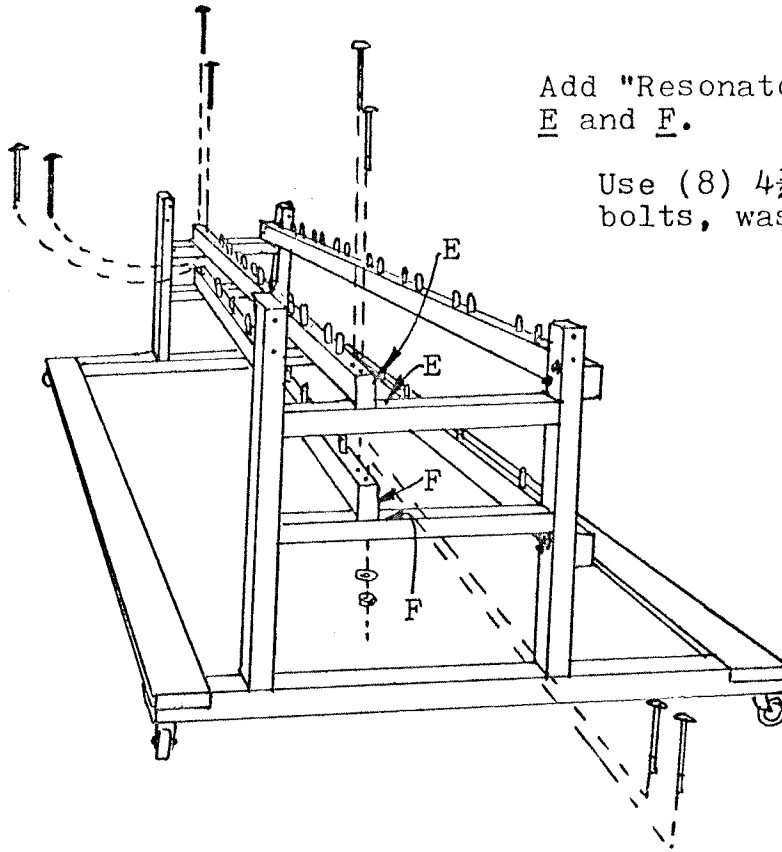
Mount inside of leg.

Add "Resonator Support Beams" C and D.

Use (8) 3½" X 5/16" Carriage bolts, washers, and nuts.

Mount outside of leg.

STEP 3

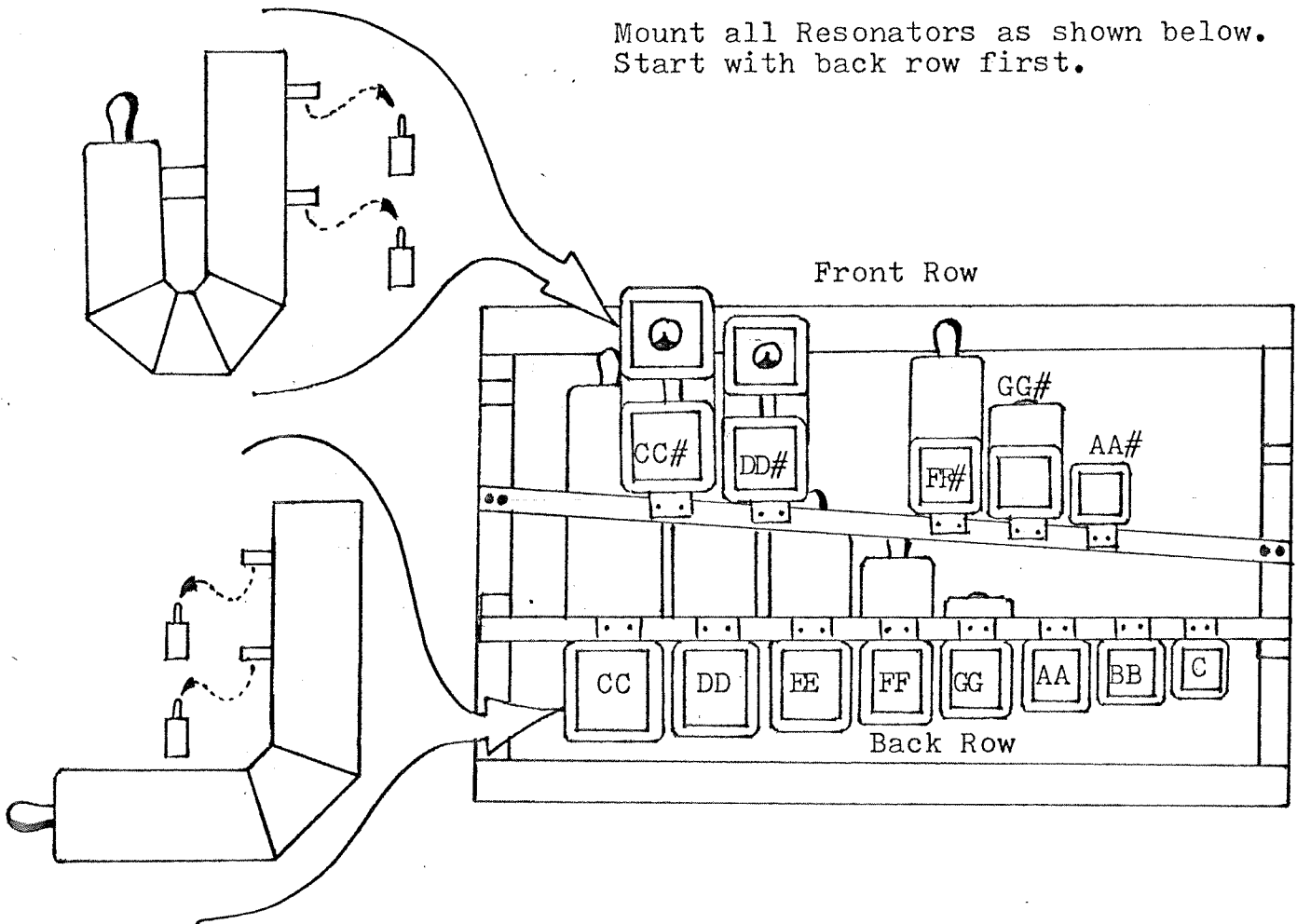


Add "Resonator Support Beams"
E and F.

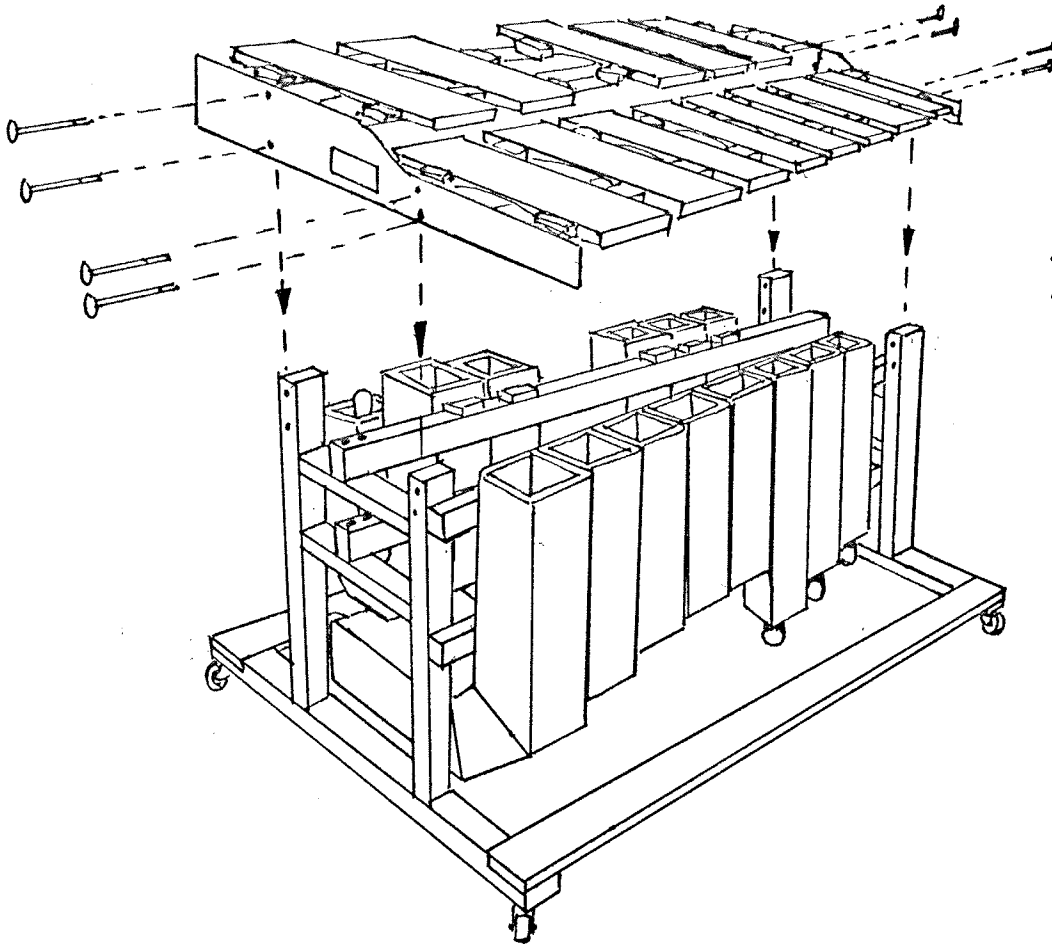
Use (8) $4\frac{1}{2}$ " X $\frac{5}{16}$ " Carriage
bolts, washers, and nuts

STEP 4

Mount all Resonators as shown below.
Start with back row first.



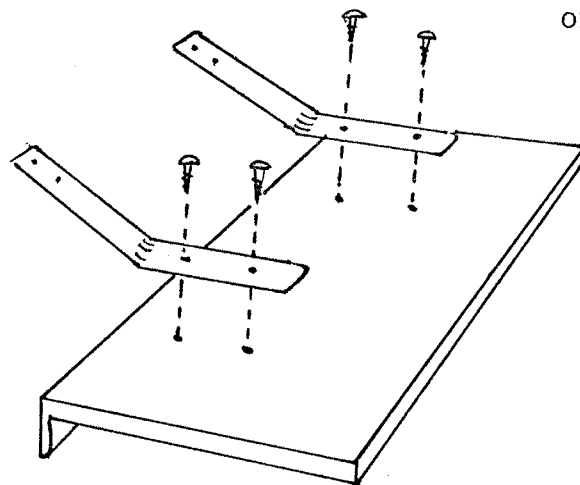
STEP 5



Slowly lower Marimba Bars onto main frame assembly. Use two people for this operation.

Use (8) $3\frac{1}{2}$ " X $\frac{5}{16}$ " Carriage bolts, washers, and nuts.

STEP 6



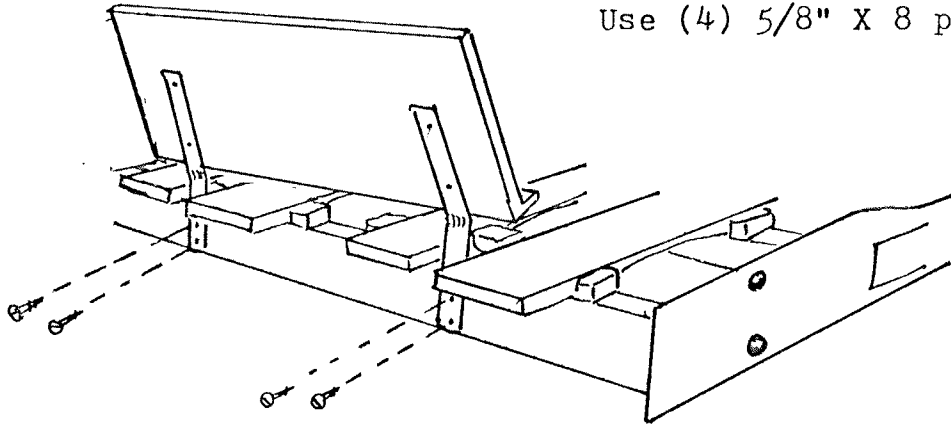
Mount music stand supports onto Music Stand.

Use (4) $\frac{5}{8}$ " X 8 pan head screws.

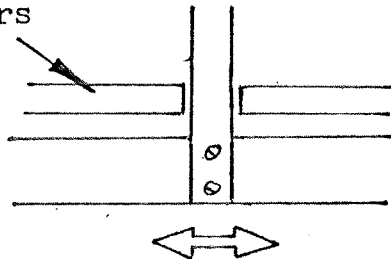
STEP 7

Mount Music Stand assembly onto
Bass Marimba.

Use (4) 5/8" X 8 pan head screws.



Bars



Note:
Make sure Music Stand
Supports don't touch
the sides of the bars.