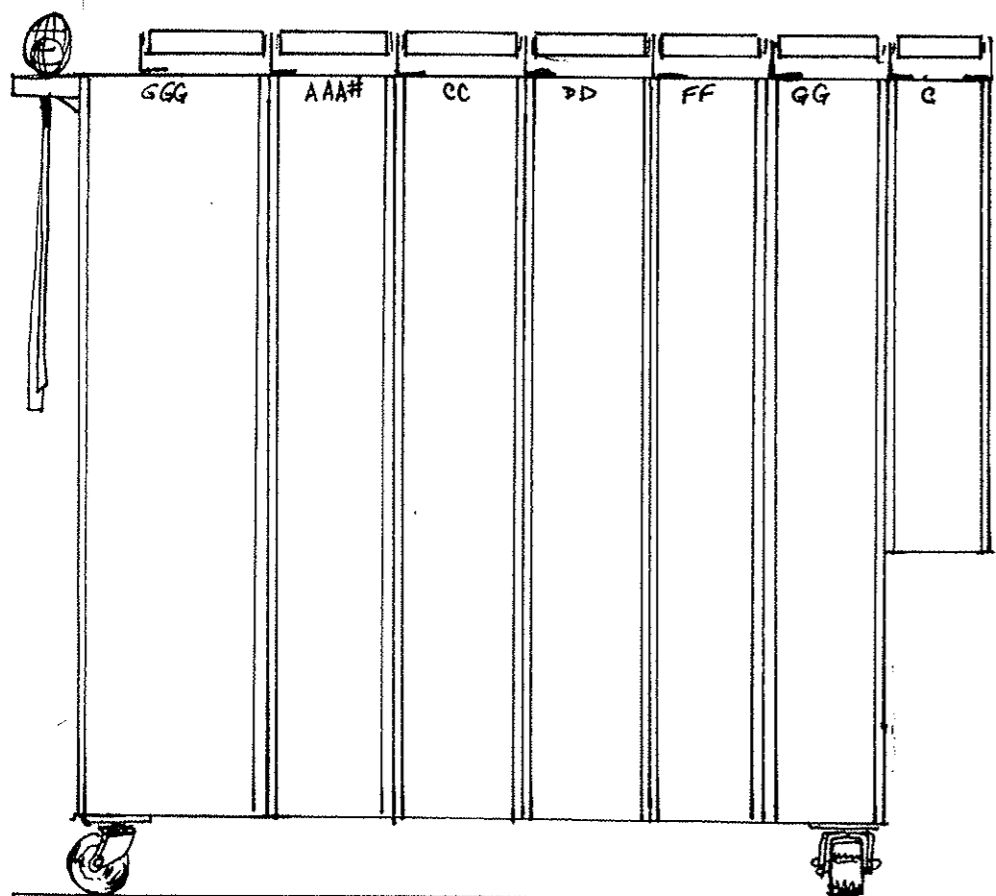
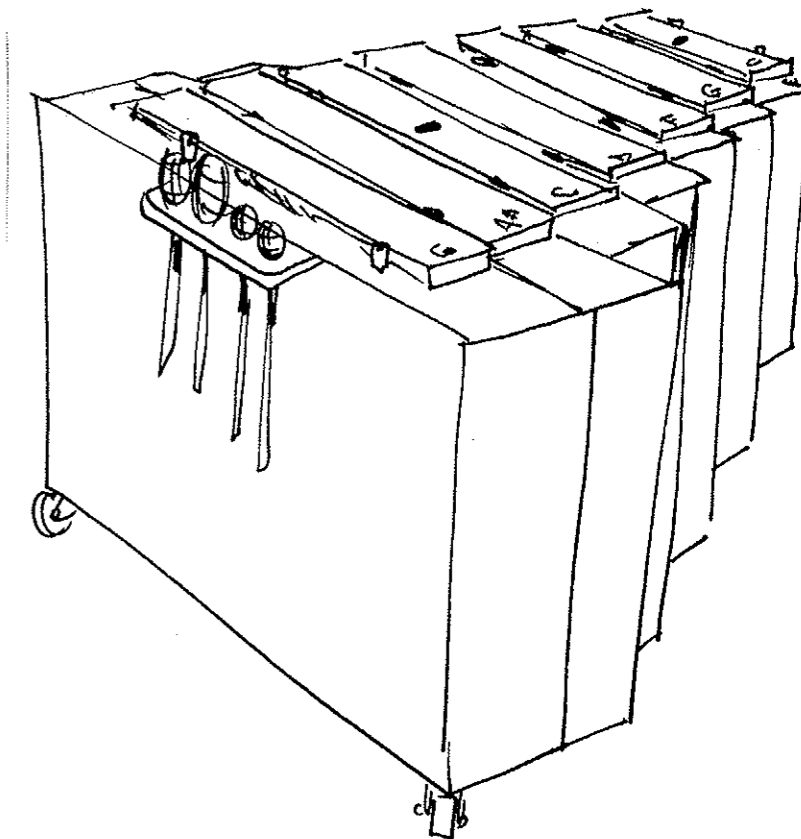
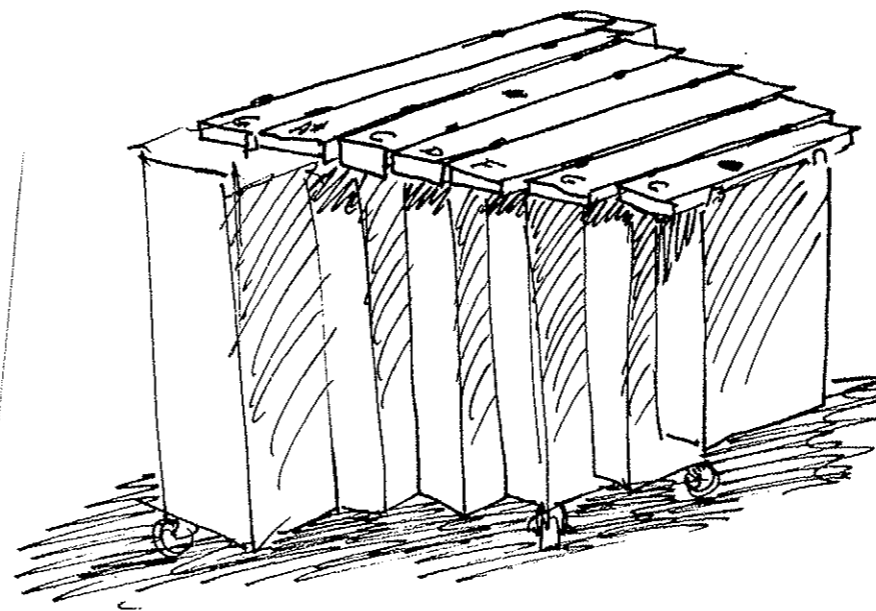
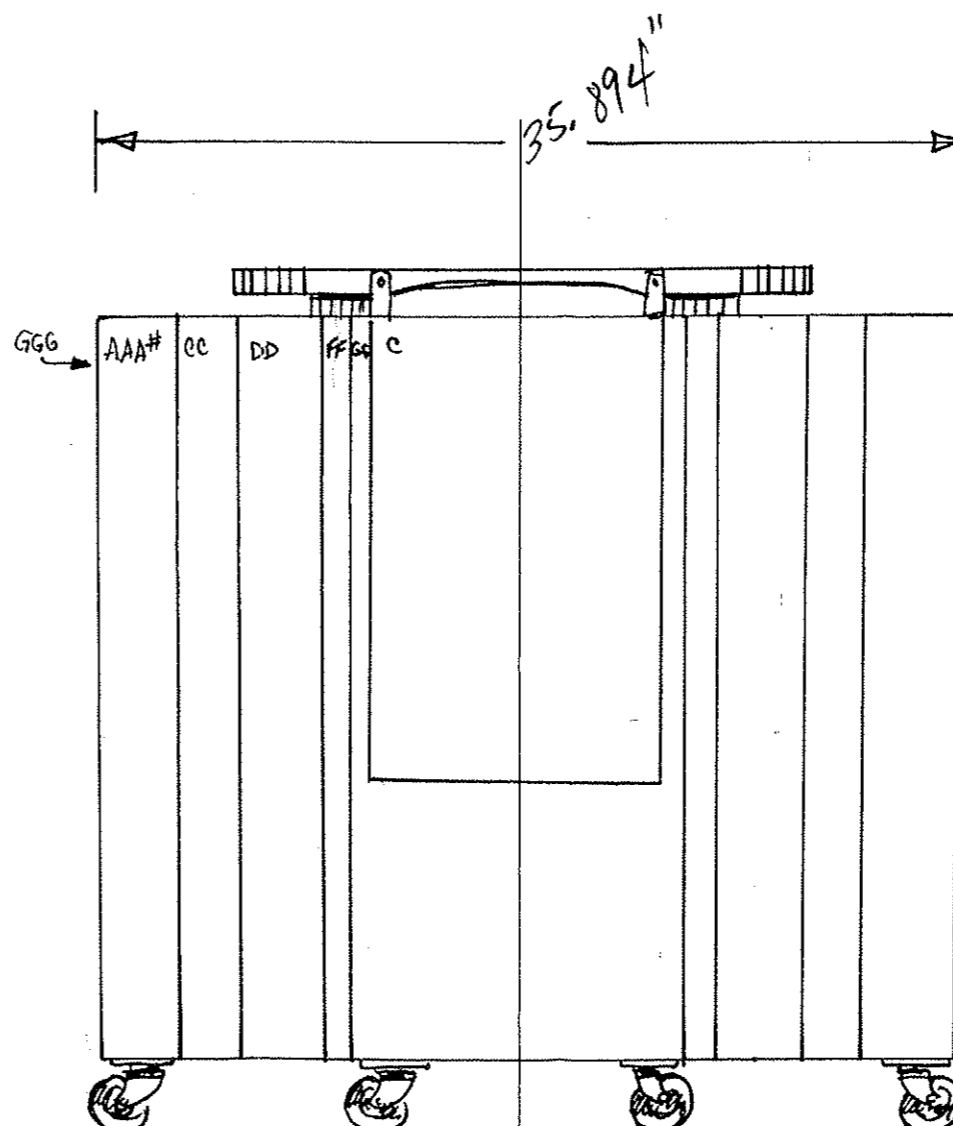


TOP VIEW



SIDE VIEW



FRONT VIEW

NOTE	FREQ	BAR SIZE W x L	RESONATOR SIZE D x H x WOD (D x H x W ID)
GGG	48.99	4-13/16 X 24-3/8	7.56 x 31 x 35.89 (6.8 x 29.5 x 34.39)
AAA#	58.27	4-5/8 x 23-1/4	5.375 x 31 x 35.89 (4.63 x 29.5 x 34.39)
CC	65.4	4-1/2 x 22-1/2	5.25 x 31 x 28.8 (4.5 x 29.5 x 27.3)
DD	73.42	4-3/8 x 21-3/4	5.125 x 31 x 23.17 (4.375 x 29.5 x 21.66)
FF	87.31	4-3/16 x 20-5/8	4.937 x 31 x 16.82 (4.187 x 29.5 x 15.32)
GG	97.99	4-1/16 x 19-7/8	4.813 x 31 x 13.66 (4.063 x 29.5 x 12.16)
C	130.81	3-3/4 x 18	4.5 x 19.80 x 12.5 (3.75 x 18.30 x 11.00)

SUPPLEMENTAL BASS MARIMBA

SCALE: 1-1/2" = 1 FOOT

Designed by: C.C. Banta
May 1991